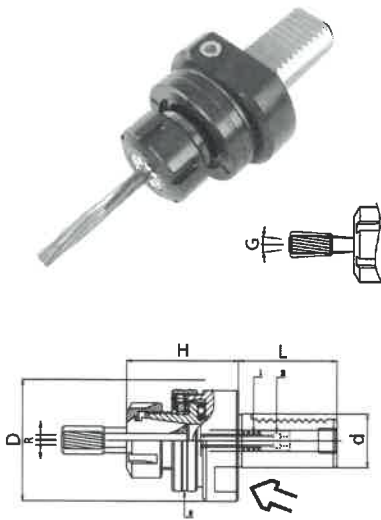


Pendelhalter mit VDI-Schaft Floating chucks with VDI shank

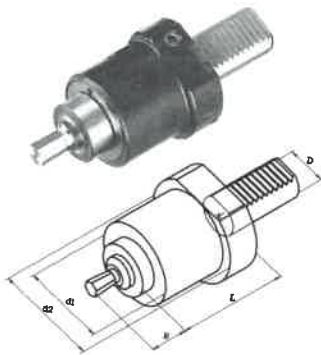


Pendelhalter mit Innenkühlung Floating chucks with internal cooling

- mit einstellbarem Radialspiel
- Einstellbereiche: Freipendeln und Parallelpendeln
- Federkraft, Zentrierkraft und Freipendeln einstellbar
- radial clearance adjustable
- application: free and parallel floating
- spring force, centering force and floating adjustable

d	Spannzange / Collet	D mm	H mm	L mm	R max mm	G max mm	Art.-Nr. / Order no.
30	ER 25	68	64	55	1	1,5	▶ 47-PH-30-25
30	ER 32	68	72	55	1,5	1,5	▶ 47-PH-30-32
40	ER 32	83	74	63	1,5	1,5	▶ 47-PH-40-32
40	ER 40	83	74	63	1,5	1,5	▶ 47-PH-40-40

Räumwerkzeughalter mit VDI-Schaft Broach tool holders with VDI shank



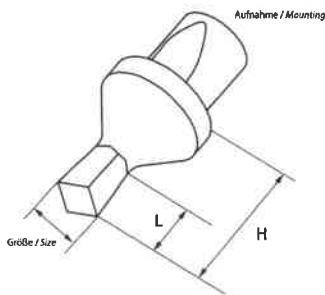
Räumwerkzeughalter Broach tool holders

D	d1 mm	d2 mm	L mm	H mm	Aufnahme / Mounting	Art.-Nr. / Order no.
30	58	68	83	25	Ø 12	▶ 47-RHV-30-12
30	58	68	83	40	Ø 16	▶ 47-RHV-30-16
40	58	83	83	25	Ø 12	▶ 47-RHV-40-12
40	58	83	83	40	Ø 16	▶ 47-RHV-40-16

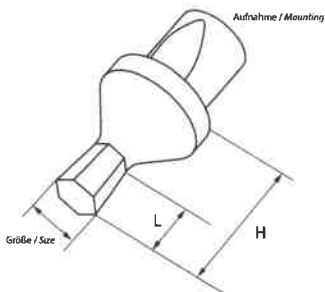
Räumstempel Broaching cutters



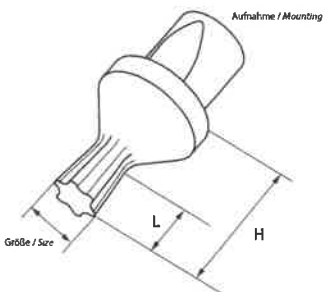
Räumstempel passend zu Aufnahme-Ø 12 Broaching cutters fitting to mounting-Ø 12



Form / Form	Größe / Size	H mm	L mm	Art.-Nr. / Order no.
Vierkant / Square	3	25	5	▶ 47-RST12/4-3,0
Vierkant / Square	4	25	6,5	▶ 47-RST12/4-4,0
Vierkant / Square	5	25	8,5	▶ 47-RST12/4-5,0
Vierkant / Square	5,5	25	9,5	▶ 47-RST12/4-5,5
Vierkant / Square	6	25	10,5	▶ 47-RST12/4-6,0
Vierkant / Square	7	25	13	▶ 47-RST12/4-7,0
Vierkant / Square	8	25	15,5	▶ 47-RST12/4-8,0
Vierkant / Square	9	25	21	▶ 47-RST12/4-9,0
Vierkant / Square	10	25	21	▶ 47-RST12/4-10,0
Vierkant / Square	11	25	21	▶ 47-RST12/4-11,0
Vierkant / Square	12	25	21	▶ 47-RST12/4-12,0
Vierkant / Square	13	25	21	▶ 47-RST12/4-13,0



Form / Form	Größe / Size	H mm	L mm	Art.-Nr. / Order no.
Sechskant / Hexagonal	1,5	25	3	▶ 47-RST12/6-1,5
Sechskant / Hexagonal	2	25	3,5	▶ 47-RST12/6-2,0
Sechskant / Hexagonal	2,5	25	4	▶ 47-RST12/6-2,5
Sechskant / Hexagonal	3	25	5	▶ 47-RST12/6-3,0
Sechskant / Hexagonal	3,5	25	6	▶ 47-RST12/6-3,5
Sechskant / Hexagonal	4	25	6,5	▶ 47-RST12/6-4,0
Sechskant / Hexagonal	5	25	8,5	▶ 47-RST12/6-5,0
Sechskant / Hexagonal	5,5	25	9,5	▶ 47-RST12/6-5,5
Sechskant / Hexagonal	6	25	10,5	▶ 47-RST12/6-6,0
Sechskant / Hexagonal	7	25	13	▶ 47-RST12/6-7,0
Sechskant / Hexagonal	8	25	15,5	▶ 47-RST12/6-8,0
Sechskant / Hexagonal	9	25	21	▶ 47-RST12/6-9,0
Sechskant / Hexagonal	10	25	21	▶ 47-RST12/6-10,0
Sechskant / Hexagonal	11	25	21	▶ 47-RST12/6-11,0
Sechskant / Hexagonal	12	25	21	▶ 47-RST12/6-12,0
Sechskant / Hexagonal	13	25	21	▶ 47-RST12/6-13,0
Sechskant / Hexagonal	14	25	21	▶ 47-RST12/6-14,0

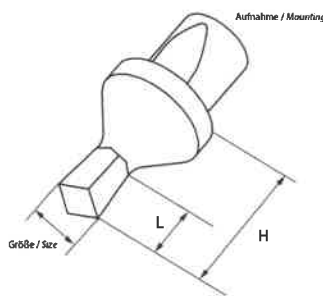


Form / Form	Größe / Size	H mm	Art.-Nr. / Order no.
Torx / Torx	6	25	▶ 47-RST12/T-6,0
Torx / Torx	8	25	▶ 47-RST12/T-8,0
Torx / Torx	10	25	▶ 47-RST12/T-10,0
Torx / Torx	15	25	▶ 47-RST12/T-15,0
Torx / Torx	20	25	▶ 47-RST12/T-20,0
Torx / Torx	25	25	▶ 47-RST12/T-25,0
Torx / Torx	27	25	▶ 47-RST12/T-27,0
Torx / Torx	30	25	▶ 47-RST12/T-30,0
Torx / Torx	40	25	▶ 47-RST12/T-40,0
Torx / Torx	45	25	▶ 47-RST12/T-45,0
Torx / Torx	50	25	▶ 47-RST12/T-50,0

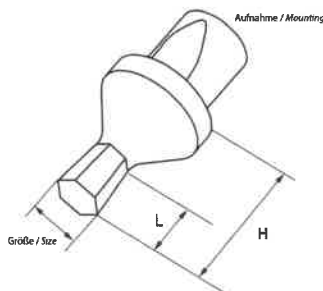
Räumstempel Broaching cutters



Räumstempel passend zu Aufnahme-Ø 16 Broaching cutters fitting to mounting-Ø 16



Form / Form	Größe / Size	H mm	L mm	Art.-Nr. / Order no.
Vierkant / Square	3	40	5	▶ 47-RST16/4-3,0
Vierkant / Square	4	40	6,5	▶ 47-RST16/4-4,0
Vierkant / Square	5	40	8,5	▶ 47-RST16/4-5,0
Vierkant / Square	6	40	10,5	▶ 47-RST16/4-6,0
Vierkant / Square	7	40	13	▶ 47-RST16/4-7,0
Vierkant / Square	8	40	15,5	▶ 47-RST16/4-8,0
Vierkant / Square	9	40	17,5	▶ 47-RST16/4-9,0
Vierkant / Square	10	40	18,5	▶ 47-RST16/4-10,0
Vierkant / Square	11	40	20	▶ 47-RST16/4-11,0
Vierkant / Square	12	40	20	▶ 47-RST16/4-12,0
Vierkant / Square	13	40	28	▶ 47-RST16/4-13,0
Vierkant / Square	14	40	32	▶ 47-RST16/4-14,0
Vierkant / Square	15	40	32	▶ 47-RST16/4-15,0
Vierkant / Square	16	40	32	▶ 47-RST16/4-16,0
Vierkant / Square	17	40	32	▶ 47-RST16/4-17,0
Vierkant / Square	18	40	32	▶ 47-RST16/4-18,0
Vierkant / Square	19	40	32	▶ 47-RST16/4-19,0
Vierkant / Square	20	40	32	▶ 47-RST16/4-20,0

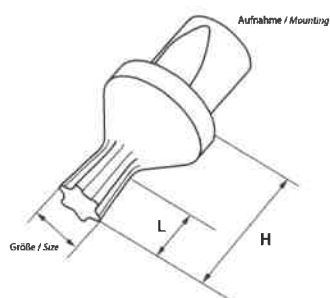


Form / Form	Größe / Size	H mm	L mm	Art.-Nr. / Order no.
Sechskant / Hexagonal	3	40	5	▶ 47-RST16/6-3,0
Sechskant / Hexagonal	3,5	40	6	▶ 47-RST16/6-3,5
Sechskant / Hexagonal	4	40	6,5	▶ 47-RST16/6-4,0
Sechskant / Hexagonal	5	40	8,5	▶ 47-RST16/6-5,0
Sechskant / Hexagonal	6	40	10,5	▶ 47-RST16/6-6,0
Sechskant / Hexagonal	7	40	13	▶ 47-RST16/6-7,0
Sechskant / Hexagonal	8	40	15,5	▶ 47-RST16/6-8,0
Sechskant / Hexagonal	9	40	17,5	▶ 47-RST16/6-9,0
Sechskant / Hexagonal	10	40	18,5	▶ 47-RST16/6-10,0
Sechskant / Hexagonal	11	40	20	▶ 47-RST16/6-11,0
Sechskant / Hexagonal	12	40	20	▶ 47-RST16/6-12,0
Sechskant / Hexagonal	13	40	28	▶ 47-RST16/6-13,0
Sechskant / Hexagonal	14	40	32	▶ 47-RST16/6-14,0
Sechskant / Hexagonal	15	40	32	▶ 47-RST16/6-15,0
Sechskant / Hexagonal	16	40	32	▶ 47-RST16/6-16,0
Sechskant / Hexagonal	17	40	32	▶ 47-RST16/6-17,0
Sechskant / Hexagonal	18	40	32	▶ 47-RST16/6-18,0
Sechskant / Hexagonal	19	40	32	▶ 47-RST16/6-19,0
Sechskant / Hexagonal	20	40	32	▶ 47-RST16/6-20,0
Sechskant / Hexagonal	21	40	32	▶ 47-RST16/6-21,0
Sechskant / Hexagonal	22	40	32	▶ 47-RST16/6-22,0
Sechskant / Hexagonal	23	40	32	▶ 47-RST16/6-23,0
Sechskant / Hexagonal	24	40	32	▶ 47-RST16/6-24,0
Sechskant / Hexagonal	25	40	32	▶ 47-RST16/6-25,0

Räumstempel Broaching cutters



Räumstempel passend zu Aufnahme-Ø 16
Broaching cutters fitting to mounting-Ø 16



Form / Form	Größe / Size	H mm	Art.-Nr. / Order no.
Torx / Torx	6	40	▶ 47-RST16/T-10,0
Torx / Torx	8	40	▶ 47-RST16/T-15,0
Torx / Torx	10	40	▶ 47-RST16/T-20,0
Torx / Torx	15	40	▶ 47-RST16/T-25,0
Torx / Torx	20	40	▶ 47-RST16/T-27,0
Torx / Torx	25	40	▶ 47-RST16/T-30,0
Torx / Torx	27	40	▶ 47-RST16/T-40,0
Torx / Torx	30	40	▶ 47-RST16/T-45,0
Torx / Torx	40	40	▶ 47-RST16/T-50,0
Torx / Torx	45	40	▶ 47-RST16/T-55,0
Torx / Torx	50	40	▶ 47-RST16/T-60,0